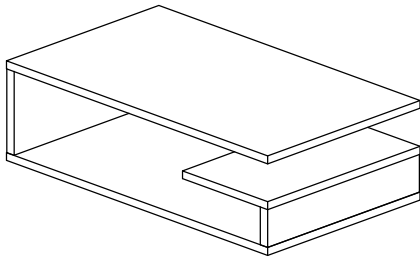
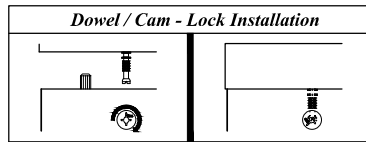


Assembly Instruction

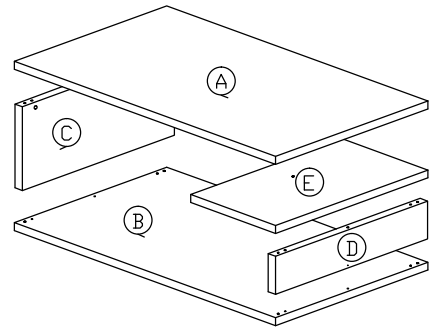
Model : FP - CT



Hardware List			
No.	SHAPE	DESCRIPTION	Qty.
1		8x25mm Wood Dowel	8Pcs
2		15MM Titus Mini Fix	6Sets
3		M4x65mm Screw	6Pcs
4		M6x30mm Screw	1Pc
5		L Key	1Pc
6		15mm Minifix Cap (hole)	6Pcs
7		Nail Leg	6Pcs
8		Steel Pipe (Ø30 x 164mm)	1Pc
9		Steel Pipe (Ø30 x 164mm)	1Pc

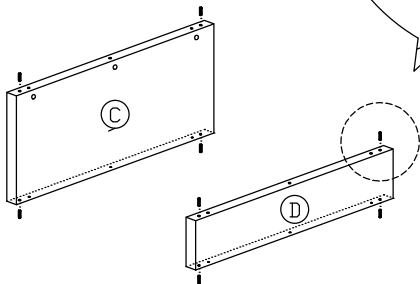


Part List



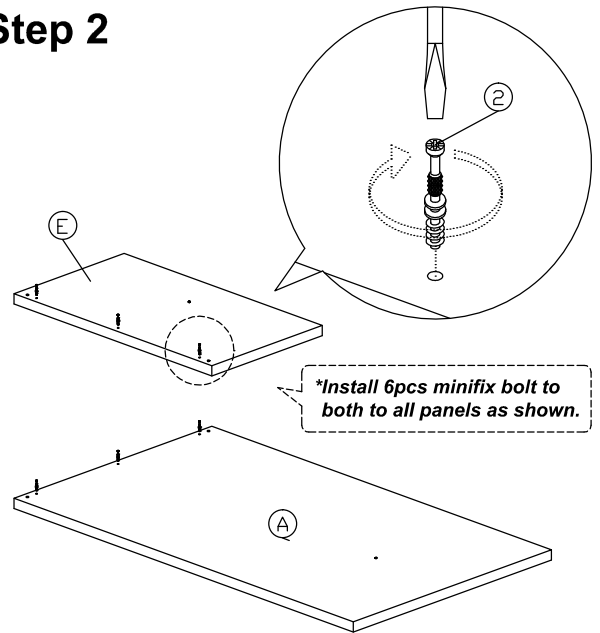
Step 1

*Install 8pcs Wood Dowel into all panels as shown.



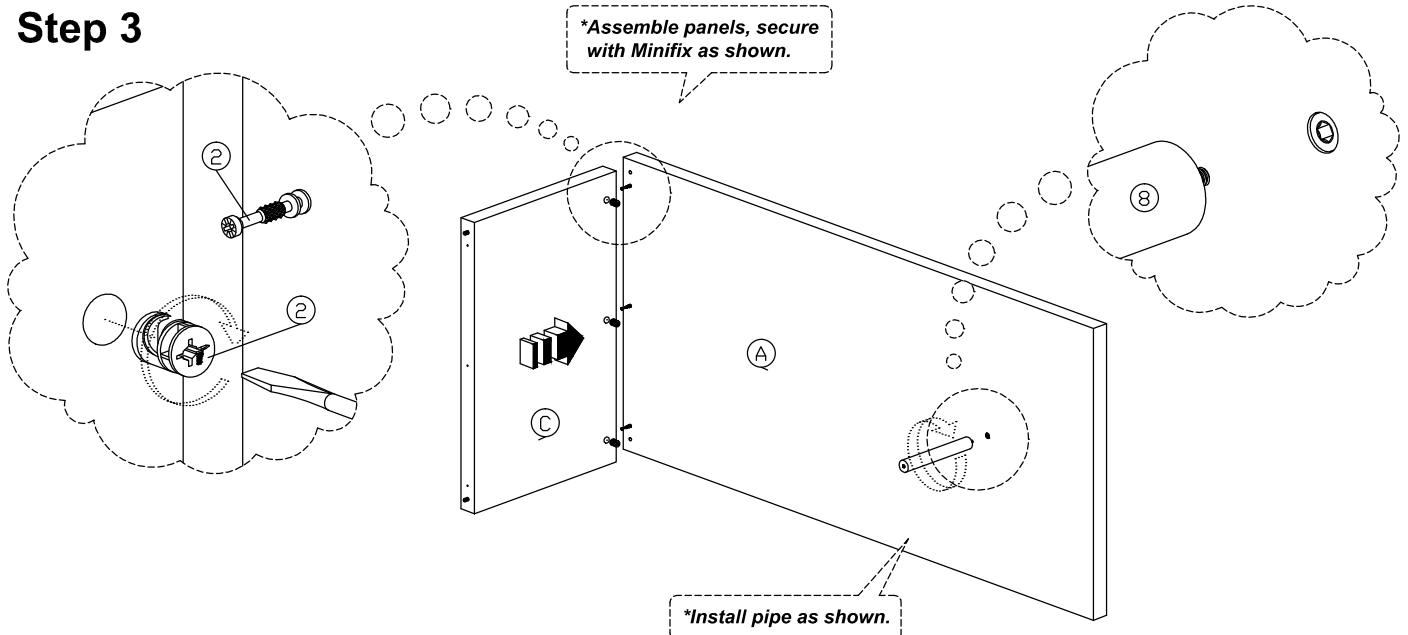
Step 2

*Install 6pcs minifix bolt to both to all panels as shown.



Step 3

*Assemble panels, secure with Minifix as shown.



*Install pipe as shown.